

## SETUP SHEET

Base Model  
 F103  F104  F104W

■ Driver / \_\_\_\_\_ ■ Date / \_\_\_\_\_ ■ Temp / \_\_\_\_\_ ■ Humidity / \_\_\_\_\_ %

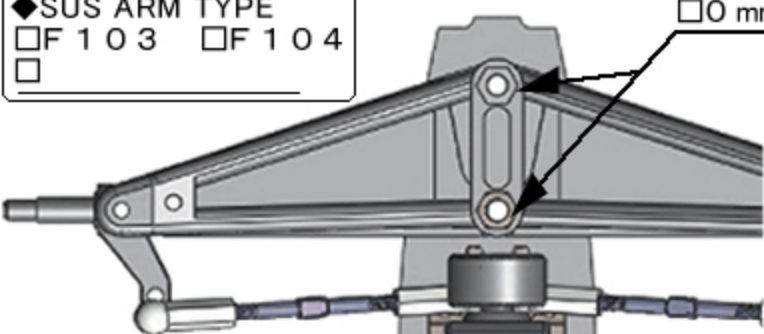
■ Track / \_\_\_\_\_

◆ Location  Indoor  Outdoor      ◆ Size  Big  Med.  Small  
 ◆ Road surface  Asphalt  Carpet      ◆ Traction  High  Med.  Low  
 ◆ Conditions  Smooth  Med.  Bumpy /  Wet

### FRONT

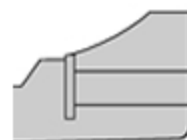
◆ SUS ARM TYPE  
 F103  F104

◆ F103 / Camber Spacer  
 0 mm  1.0 mm  2.0 mm  3.0 mm  4.0 mm  5.0 mm

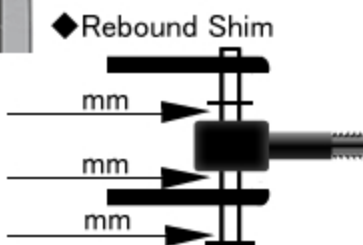


■ Front Wing

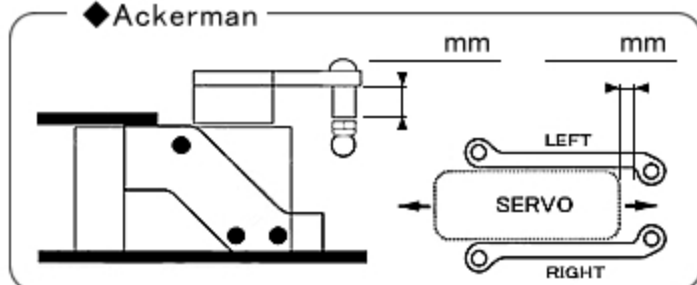
\_\_\_\_\_



◆ UPRIGHT TYPE  
 ■ Maker / \_\_\_\_\_  
 InLine  
 Trail / \_\_\_\_\_ mm



◆ Ackerman



◆ Width / \_\_\_\_\_ mm ◆ Ride Height / \_\_\_\_\_ mm

◆ Front Spring / \_\_\_\_\_

◆ Camber F104  
 0°  1.0°  1.5°  2.0°  2.5°

◆ Toe  IN  OUT / \_\_\_\_\_ °

◆ Front Tire / \_\_\_\_\_ mm

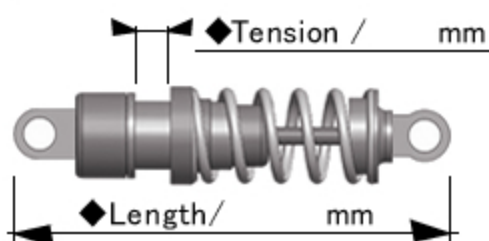
◆ Additive  Yes  No  
 Maker / \_\_\_\_\_

Time ~ \_\_\_\_\_ min / Width \_\_\_\_\_ %

◆ Notes

### Rear

■ Rear Damper / \_\_\_\_\_



◆ Spring / \_\_\_\_\_

◆ Piston / \_\_\_\_\_ Hole ◆ Oil / # \_\_\_\_\_

■ Roll-Damper

Oil-Damper  Tube-Damper

◆ Length / \_\_\_\_\_ mm ◆ Oil / # \_\_\_\_\_

◆ Width / \_\_\_\_\_ mm ◆ Ride Height / \_\_\_\_\_ mm

◆ Height Adapter



◆ Motor mount / \_\_\_\_\_

H.A. Position /  Upper  Bottom

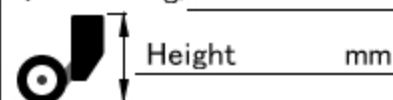
◆ Rear Tire / \_\_\_\_\_ mm

◆ Additive  Yes  No  
 Maker / \_\_\_\_\_

Time ~ \_\_\_\_\_ min / Width 100%

◆ Body / \_\_\_\_\_

◆ Rear Wing / \_\_\_\_\_



◆ Motor / \_\_\_\_\_

◆ Spur / Pinion / RollOut  
 T / T /

◆ ESC / \_\_\_\_\_

◆ Weight / \_\_\_\_\_ g

◆ Steering Gyro

Maker / \_\_\_\_\_  
 ON (GAIN \_\_\_\_\_ %)

◆ Notes

■ Side Link-Rod

