

## SETUP SHEET

Base Model  
 F103  F104  F104W

■ Driver / Kazunori Ono    ■ Date / 2012/08/25    ■ Temp / 29 °c    ■ Humidity / 67 %

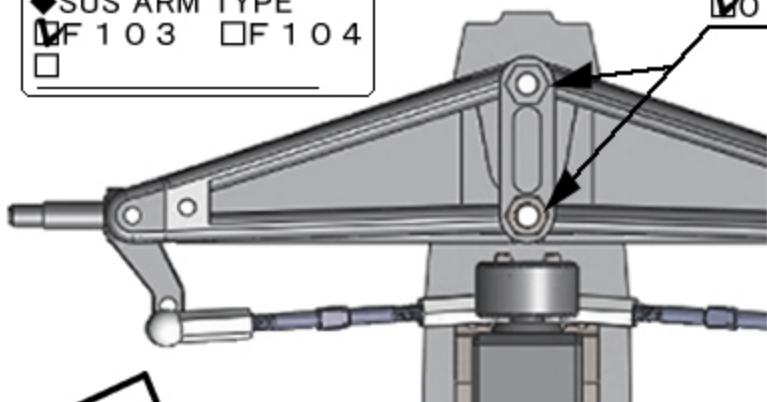
■ Track / NEXTER Circuit in FUKUOKA    【 Night Race 】    TQ&Win

◆ Location     Indoor     Outdoor    ◆ Size     Big     Med.     Small  
 ◆ Road surface     Asphalt     Carpet    ◆ Traction     High     Med.     Low  
 ◆ Conditions     Smooth     Med.     Bumpy /     Wet

### FRONT

◆ SUS ARM TYPE  
 F103     F104

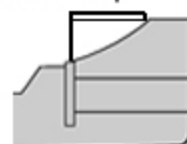
◆ F103 / Camber Spacer  
 0 mm     1.0 mm     2.0 mm     3.0 mm



■ Front Wing  
 TECH Type-B

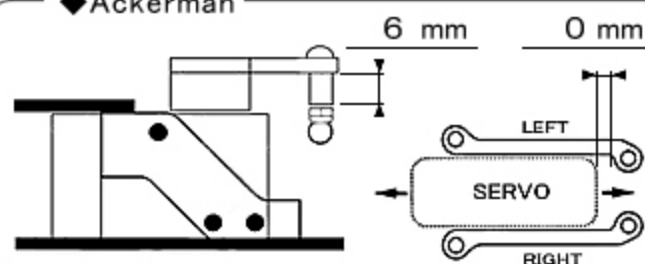
additional flap

cut bumper-based front 7mm



◆ UPRIGHT TYPE  
 ■ Maker / Bomber  
 InLine     Trail / mm

◆ Ackerman



◆ Width / 198 mm    ◆ Ride Height / 2.5 mm

◆ Front Spring / HRF024 P-Soft

◆ Camber F104  
 0°     1.0°     1.5°     2.0°     2.5°

◆ Toe     IN     OUT / 0°

◆ Front Tire / Shimizu F3-S mm

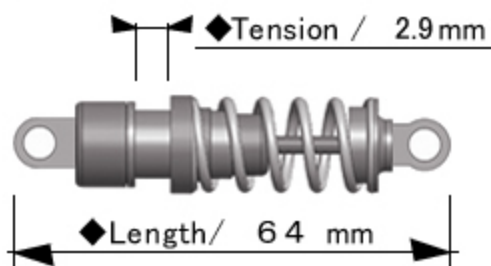
◆ Additive     Yes     No  
 Maker /

Time ~ min / Width mm

◆ Notes

### Rear

■ Rear Damper / Tamiya TRF

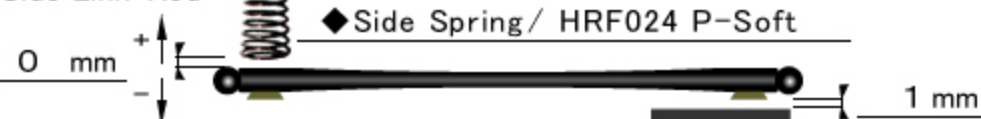


◆ Spring / TECH-Med.

◆ Piston / 3 Hole    ◆ Oil / # 400

■ Roll-Damper  
 ProtoType TUBE    ◆ Oil / # 2000

■ Side Link-Rod



◆ Width / 200 mm

◆ Height Adapter



◆ Ride Height / 3 mm

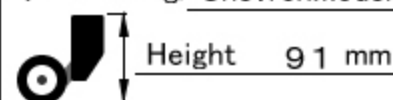
◆ Rear Tire / Shimizu R3-S mm

◆ Additive     Yes     No  
 Maker /

Time ~ min / Width

◆ Body / ChevronModels March

◆ Rear Wing / ChevronModels



◆ Motor / Tamiya F-Tune

◆ Spur / Pinion / RollOut  
 90 T / 29 T /

◆ ESC / Futaba MC851

◆ Weight / g

◆ Steering Gyro  
 Maker / ZEN Ver2

ON (GAIN 30%)

◆ Notes

GAIN uses 3CH of 4PK