

SETUP SHEET

Base Model
 F103 F104 F104W

■ Driver / Shigeki Morishima ■ Date / 2012/04/29 ■ Temp / 26 ■ Humidity / 46 %

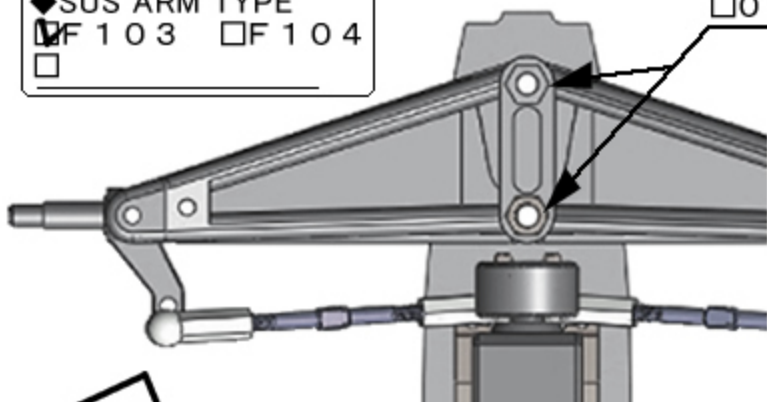
■ Track / **Morotech in Niigata 【F1RCGP Round6】**

◆ Location Indoor Outdoor ◆ Size Big Med. Small
 ◆ Road surface Asphalt Carpet ◆ Traction High Med. Low
 ◆ Conditions Smooth Med. Bumpy / Wet

FRONT

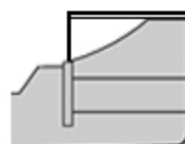
◆ SUS ARM TYPE
 F103 F104

◆ F103 / Camber Spacer
 0 mm 1.0 mm 2.0 mm 3.0 mm

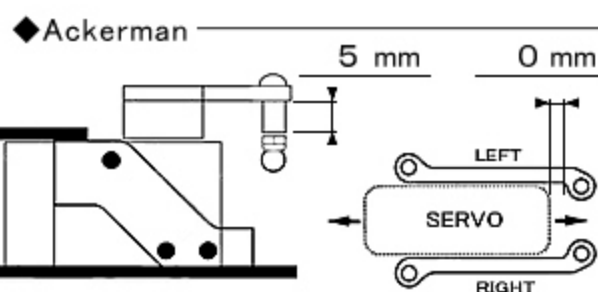


■ Front Wing
 TECH Type-B

additional flap
 7mm of front area cuts



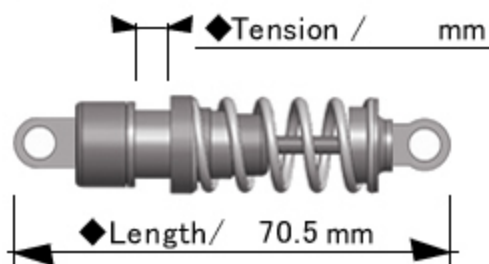
◆ UPRIGHT TYPE
 ■ Maker / Bomber
 InLine Trail / 2.4mm



◆ Width / 200 mm ◆ Ride Height / 4.5 mm
 ◆ Front Spring / HRF024 P-Soft
 ◆ Camber F104
 0° 1.0° 1.5° 2.0° 2.5°
 ◆ Toe IN OUT / 0.5°
 ◆ Front Tire / ZEN Hi-Rubber 56 mm
 ◆ Additive Yes No
 Maker /
 Time ~ min / Width mm
 ◆ Notes

Rear

■ Rear Damper / AE-R5



◆ Spring / YOKOMO-R12 Black
 ◆ Piston / Hole ◆ Oil / # 400

■ Roll-Damper
 ◆ Length / 71.5 mm ◆ Oil / # 300

◆ Width / 200 mm
 ◆ Height Adapter
 2.5 2.0 1.0 0 1.0 2.0
 ◆ Ride Height / 4.5 mm
 ◆ Rear Tire / ZEN Soft2 5 56.5 mm
 ◆ Additive Yes No
 Maker /
 Time ~ min / Width

◆ Body / テックMG10
 ◆ Rear Wing / TRG

 Height 95 mm
 ◆ Motor / JET 17.5T
 ◆ Spur / Pinion / RollOut
 90 T / 31 T / 61.17
 ◆ ESC / Hobby Wing
 ◆ Weight / g
 ◆ Steering Gyro
 Maker / R246
 ON (GAIN 0 %)
 ◆ Notes

